



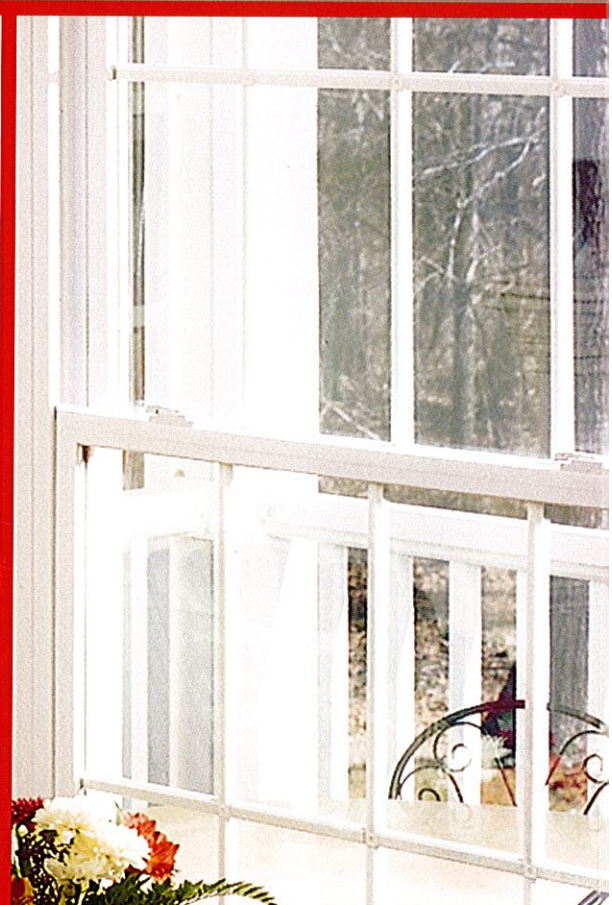
*The original private label window, designed
exclusively for Richards Building Supply*

RBS Performance Plus



 **Richards**
BUILDING SUPPLY CO.
Honored to be your first call since 1978.

- Precise Manufacturing Details
- Available in Most Popular Window Styles
- Years of Proven Performance



www.richards-supply.com

RBS: Focusing on doing it the correct way!

Family owned and operated, Richards Building Supply has been serving its contractor customers since 1978. We take great pride in offering you a complete line of building products. These residential and commercial products include exterior roofing, siding, soffit, fascia, gutters, windows, exterior doors, as well as interior doors and millwork in the styles and colors to fit all of your customers' needs.

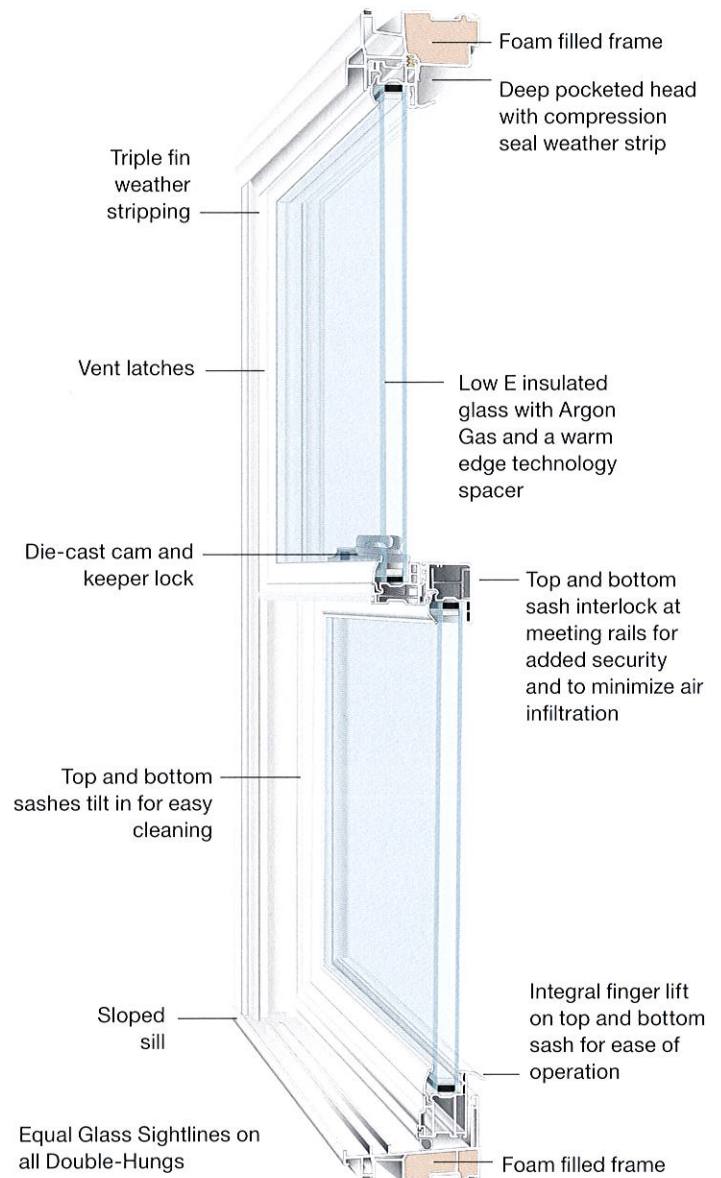
Beginning with one location in Chicago, Richards has grown to a network of 60 locations – and all with the one purpose of providing quality products and customer service at a fair price. Today Richards Building Supply locations spread over 12 states.

Our employees are trained to focus on the customers' needs. Our products are the strongest performers and are widely accepted. We know you have many options to choose from in supplier selection and we will continue to provide you the utmost in product selection and quality at competitive prices.

Choose Richards Building Supply for your projects.



Double-Hung Features



- *Long-term performance*
- *A proven track record*
- *Achieving homeowner satisfaction*



Sliding Window Features

- Double-wheeled brass rollers transfer weight of glass directly to frame reducing stress on sash members
- Rollers glide on integral track system allowing for effortless fingertip operation
- Operating sashes easily lift out for easy cleaning
- Independent weep chambers on frame assure effective water run-off
- Foam filled frame for added strength and rigidity



RBS Performance Plus is an Energy Star Rated product.



Bow & Bay Features

- Adjustable steel cable support system allows for maximum support and precision adjustment. Knee braces are also available.
- Insulated mullions minimize cold spots and drafts.
- Insulated head and seat board provide greater resistance to cold and condensation. Stainable grade oak veneer
- Weatherproof vinyl capping system provides maximum weather protection and minimal maintenance.

Patio Door Optional Features

- Beautiful brass, brushed chrome and dark oil rubbed bronze keyed or non-keyed handle
- Optional grids:
Colonial, Contour or Prairie style
- Multi-point keyed or non-keyed locking system for greater security (highest security rating based on forced entry tests, 2,000 lbs.)
- Double weather stripped interlocking sashes
- Two point lock option available



Also Available:

Custom Sizing available for exact fit

Factory Mulling



New Construction Windows

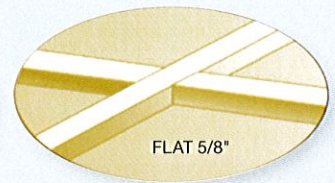
- Double wall extruded nail fin
- Integral J channel
- Designed for both new construction and remodeling where siding and windows are being installed at the same time



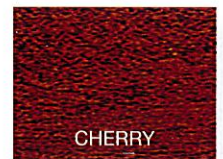
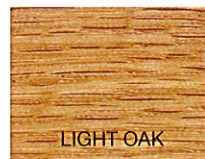
Window cleaning is a breeze with upper and lower sashes that tilt in easily.

Grid Options Enhance to Your Windows

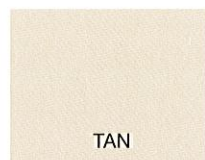
- Between the glass
- Pencil, Contoured or Flat styles



Interior Colors Available (plus Tan or White)



Exterior Colors Available



Windows and patio doors are available with these interior and exterior finishes (additional exterior colors available, ask for details).

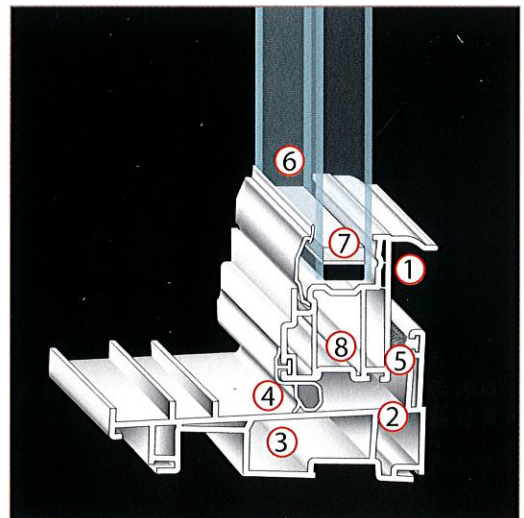
 **Richards**
BUILDING SUPPLY CO.
Honored to be your first call since 1978.



ANATOMY OF EFFICIENCY

Energy efficient windows provide an effective barrier to any weather condition.

- (1) Dual hollows at lift rail add strength and insulation
- (2) Heavy walled PVC framing acts as a natural insulator
- (3) Fusion welded frame and sash
- (4) Closed cell compression seal at sloped sill resists air and water penetration
- (5) Fin seal weather stripping at sill further reduces air infiltration
- (6) Low E insulated glass with Argon Gas provides optimal energy efficiency
- (7) "Warm edge" low conductance spacer resists energy flow through the edge of glass
- (8) Constant force balance system
- (9) Foam filled frame for added strength and rigidity



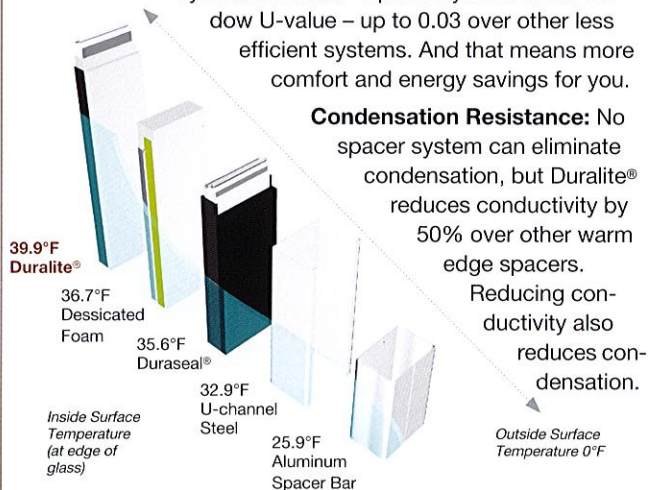
RBS PERFORMANCE PLUS

The original private label window, designed exclusively for Richards Building Supply, features:

1. Fusion welded
2. Low E glass with Argon Gas
3. Extruded half screen
4. Foam filled frame
5. 25 year Glass Breakage Warranty
6. Lifetime warranty on all operating parts and insulated glass, also transferable
7. Energy Star Rated
8. NFRC certified
9. Rapid delivery

SPACER PERFORMANCE

Duralite® spacers are the best spacers in comparison testing with other commonly used insulated glass systems. Duralite® spacers yield a lower window U-value – up to 0.03 over other less efficient systems. And that means more comfort and energy savings for you.



TERMINOLOGY

U-Value is the rate of heat flow through a glazing system; the lower the value, the better the insulating quality. U-value can be compared to R-value by dividing 1 by the U-value. (Thus, a U-value of 0.5 equals an R-value of 2.) It is expressed in Btu/hr/ft²/F.

Solar Heat Gain Coefficient is the fraction of incident solar radiation entering a home through the windows. The lower the number, the better the window is at preventing solar gain – critical to reducing summer cooling costs.

TOTAL UNIT

PRODUCT	U-VALUE*	SHGC
Double-Hung	0.27	0.28
Single Slider	0.27	0.29
Twin Vent Slider	0.27	0.28
Picture Window	0.27	0.30
Casement	0.27	0.27
Bow/Bay Double-Hung	0.27	0.28
Patio Door	0.27	0.30

*Low E with Argon Gas



RBS Performance Plus is an Energy Star Rated product.

Since 1978 Richards Building Supply Company has worked together with professional contractors to provide them the ultimate in service for their building supply and project needs. We want you, our customer, to be successful: When you grow, we grow. By exceeding expectations with superior product knowledge, convenience and continued assistance after sales, we build lasting relationships together.